

26-CRR

Chain Driven Live Roller Conveyor (Roll-to-Roll Type)

The heavy design of the 26-CRR allows it to be used for conveying higher load capacities such as loaded pallets and drums. Chain driven rollers make it ideal for conveying oily parts in bottling and steel industries.

- 15 Bed Widths
- Center Drive
- Reversible
- Chain Driven Rollers
- Adjustable HSN-Type Floor Supports Available



Conveyor shown with optional floor supports

4 in., 5 in., 6 in., and 7 1/2 in., Roller Centers.

Conveying Surface		15 3/4"	17 3/4"	19 3/4"	21 3/4"	23 3/4"	27 3/4"	29 3/4"	33 3/4"	35 3/4"	39 3/4"	43 3/4"	47 3/4"	51 3/4"	57 3/4"	63 3/4"
Between Rail Width		19"	21"	23"	25"	27"	31"	33"	37"	39"	43"	47"	51"	55"	61"	67"
Overall Frame Width		22 3/4"	24 1/4"	26 1/4"	28 1/4"	30 1/4"	34 1/4"	36 1/4"	40 1/4"	42 1/4"	46 1/4"	50 1/4"	54 1/4"	58 1/4"	64 1/4"	70 1/4"
*4" Centers 10' Length-O.A.	No. 40	808	845	882	919	956	1030	1067	1141	1178	1252	1326	1400	1474	1585	1696
	Per Foot	Chain	73	77	81	85	89	97	101	109	113	121	129	137	145	157
5" Centers 10' Length-O.A.	No. 50	707	742	777	812	847	917	952	1022	1057	1127	1197	1267	1337	1442	1547
	Per Foot	Chain	65	69	73	77	81	89	93	101	105	113	121	129	137	149
6" Centers 10' Length-O.A.	No. 60	639	673	707	741	775	843	877	945	979	1047	1115	1183	1251	1353	1455
	Per Foot	Chain	59	62	65	68	71	77	80	86	89	95	101	107	113	122
7 1/2" Centers 10' Length-O.A.	No. 60	572	605	638	671	704	770	803	869	902	968	1034	1100	1166	1265	1364
	Per Foot	Chain	55	59	61	64	67	73	76	82	85	91	97	103	109	118

*#40 chain reduces total conveyor capacity. Consult factory.

3 in. Roller Centers.

Conveying Surface		15 3/4"	17 3/4"	19 3/4"	21 3/4"	23 3/4"	27 3/4"	29 3/4"	33 3/4"	35 3/4"	39 3/4"	43 3/4"	47 3/4"	51 3/4"	57 3/4"	63 3/4"
Between Rail Width		22 1/4"	24 1/4"	26 1/4"	28 1/4"	30 1/4"	34 1/4"	36 1/4"	40 1/4"	42 1/4"	46 1/4"	50 1/4"	54 1/4"	58 1/4"	64 1/4"	70 1/4"
Overall Frame Width		25 1/2"	27 1/2"	29 1/2"	31 1/2"	33 1/2"	37 1/2"	39 1/2"	43 1/2"	45 1/2"	49 1/2"	53 1/2"	57 1/2"	61 1/2"	67 1/2"	73 1/2"
3" Centers 10' Length-O.A.	No. 60	976	1016	1056	1096	1136	1216	1256	1336	1376	1456	1536	1616	1696	1816	1936
	Per Foot	Chain	87	90	93	96	99	103	108	114	117	123	129	135	141	150

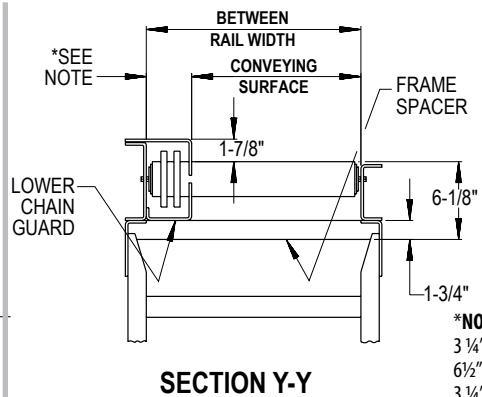
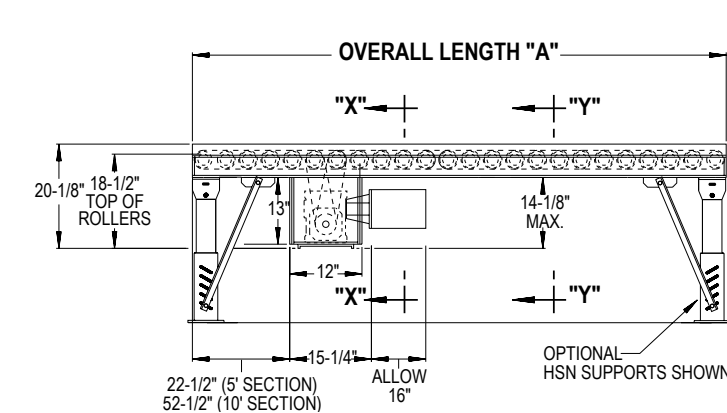
3 3/4 in. Roller Centers.

Conveying Surface		15 3/4"	17 3/4"	19 3/4"	21 3/4"	23 3/4"	27 3/4"	29 3/4"	33 3/4"	35 3/4"	39 3/4"	43 3/4"	47 3/4"	51 3/4"	57 3/4"	63 3/4"
Between Rail Width		22"	24"	26"	28"	30"	34"	36"	40"	42"	46"	50"	54"	58"	64"	70"
Overall Frame Width		25 1/4"	27 1/4"	29 1/4"	31 1/4"	33 1/4"	37 1/4"	39 1/4"	43 1/4"	45 1/4"	49 1/4"	53 1/4"	57 1/4"	61 1/4"	67 1/4"	73 1/4"
3 3/4" Centers 10' Length-O.A.	No. 60	839	879	919	959	999	1079	1119	1199	1239	1319	1399	1479	1559	1629	1799
	Per Foot	Chain	78	81	84	87	90	96	99	105	108	114	120	126	132	141

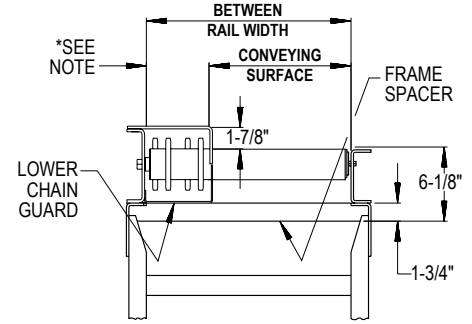
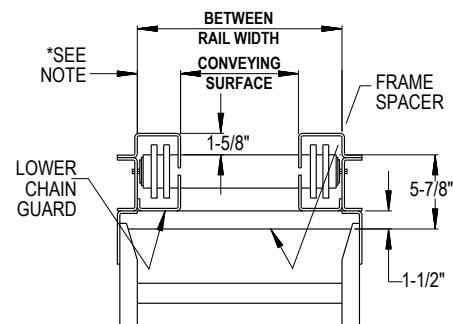
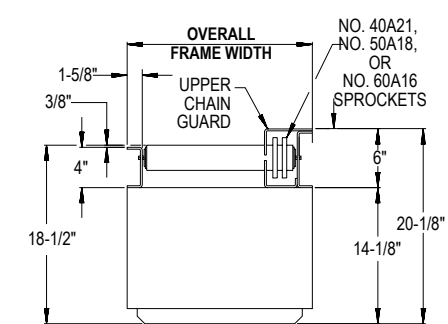
All weights in catalog are conveyor weights only. Accessories, crating, etc. are not included

Note: Add 1 3/8" to OAL for Chain Guard End Caps on 4" centers only.

Note: Add 3" to OAL for Chain Guard End Caps on 3" roller centers only.



***NOTE:**
3 1/4" FOR 4", 5", 6", and 7 1/2" CENTERS.
6 1/2" FOR 3 3/4" CENTERS ONLY.
3 1/4" ON BOTH SIDES FOR 3" CENTERS.



• STANDARD SPECIFICATIONS

26-CRR

BED—Roller bed with 2 5/8 in. dia. x 7 ga. unplated tread rollers spaced every 4 in. with No. 40 roller chain; 5 in. with No. 50 roller chain. No. 60 roller chain used on 3 in., 3 3/4 in., 6 in., and 7 1/2 in. roller centers only. Tread rollers mounted in 4 in. x 4 ga. powder painted formed steel channel on side opposite chain guard and 6 in. x 4 ga. powder painted formed steel channel on chain guard side. **NOTE:** 3 in. roller center tread rollers mounted in 4 in. channel each side.

CENTER DRIVE—Can be placed in any section of conveyor length, specify. Chain guard located on left hand side.

DRIVE CHAIN—No. 40, 50 or 60 roller chain.

CHAIN GUARD—Formed steel, upper and lower chain guard mounted to top and bottom of channel frame to totally enclose drive chains.

BEARINGS—Sealed, pre-lubricated ball bearings.

SPEED REDUCTION—Sealed worm gear C-Face speed reducer.

MOTOR—1 HP—208/230/460/575V—3 Ph. 60 Hz. Totally Enclosed C-Face.

CONVEYING SPEED—Constant 30 FPM.

CAPACITY—Maximum load per linear foot of conveyor 300 lbs. with supports on 10 ft. centers, 1000 lbs. with supports on 5 ft. centers. Contact factory for capacity of No. 40 chain, 4 in. roller centers. NOT TO EXCEED CAPACITY IN CHART.

FLOOR SUPPORTS—Now supplied as optional equipment.

LOAD CAPACITY CHART @ 30 FPM		
TOTAL LOAD (Lbs.)		
HP	UP TO 50'	UP TO 100'
1	9000	6000
2	22000	18000

NOTE: Capacities are calculated on 5" Roller Centers with #50 Chain.

• OPTIONAL EQUIPMENT

FLOOR SUPPORTS—HSN Type floor supports are available with a wide range of adjustment. Specify top or roller elevation. One support required at every bed joint and ends of conveyor. Holes in feet for lagging to floor. Knee braces recommended above HSN-3 support.

CONVEYING SPEED—Other constant and variable speeds. V-belt supplied on speeds under 12 FPM (1 HP). **Note:** Capacity affected with speed change.

TOP SIDE MOUNTED DRIVE—Motor reducer unit mounted to side of conveyor with drive chain through top of chain guard. Specify clearances. Minimum elevation top of rollers 6 1/2 in.

V-BELT DRIVE—V-belt supplied between motor and reducer.

SHAFT MOUNTED DRIVE—Mounted to side of conveyor complete with torque arm. Minimum elevation to top of rollers is 6 1/2 in.

O-RING DRIVE CHAIN—With sealed in lubricant (Recommended for applications that do not permit regular lubrication).

FRAMES—4 in. X 5.4 lb. structural channel (welded).

GUARD RAILS—Fixed angle (2 in. high x 1/4 in. steel) guard bolts to top flange of channel opposite chain guard.

CHANNEL END STOP—6" x 8.2 lb. structural channel end stop.

ROLLERS SET LOW—Tread rollers mounted in 6 in. x 4 ga. formed steel channel frame to form 1 5/8 in. high guard rails. Also available in 5 in. x 6.7 lbs. structural channel frame (welded). Specify.

CHAIN CROSSOVER—Separate 3-roller section moves driving chain from one side of conveyor to other. Offset-style adds 12 in. to OAL of conveyor with No. 40 chain, 15 in. with No. 50 chain & 18 in. with No. 60 chain.

TRANSFERS—Chain transfers available. See Accessory section.

MOTORS—Energy efficient, single phase, brakemotor, other characteristics. 2 HP maximum.

ELECTRICAL CONTROLS—Non-reversing magnetic starter – push-button stations. AC variable frequency drive.