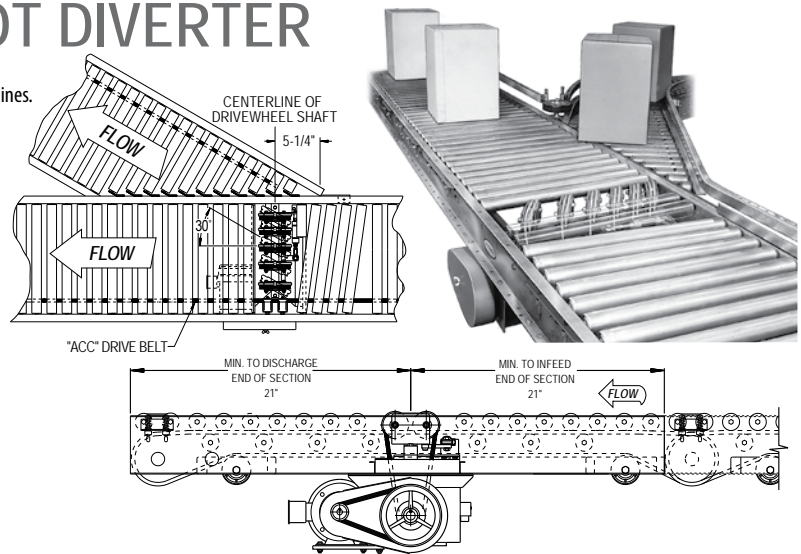
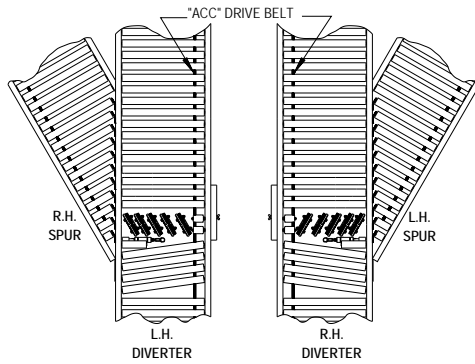


SYSTEMS ACCESSORIES

SINGLE POWERED PIVOT DIVERTER

The Powered Pivot Diverter is designed for use with Models 138-ACC & 190-ACC Accumulating Conveyor. Products are automatically diverted onto adjacent 30° spur lines.



• STANDARD SPECIFICATIONS

CAPACITY—75 lbs. maximum package weight.

PACKAGE SIZE—Minimum 6 in. wide x 9 in. long, maximum 12 in. wide x 21 in. long. NOTE: Small packages must not be top heavy.

DIVERTER SPEED—AC Drive 42-420 FPM.

DIVERTER MECHANISM—Two rows of 3 7/8 in. dia. wheels with urethane treads driven by 3/8 in. dia. urethane belts.

MOUNTING—Complete unit bolts to 138-ACC 13 in. to 22 in. BR only or 190-ACC 13 in. to 21 in. BR, RH or LH diversion 30° spur discharge (spur not included). Minimum elevation 15 in. (138-ACC) or 16 in. (190-ACC). NOTE: ACC belt must be opposite discharge side. Widths over 22 in. BR contact Factory.

CYCLES—Up to 40 times per minute.

DRIVE—1/2 HP motor with AC type variable speed controller. Select 230V-3 Ph. 60 Hz. or 115V-1 Ph. 60 Hz. power.

AIR CYLINDER—1 1/4 in. dia. bore x 1 in. stroke, double acting with internal rubber bumpers both ends.

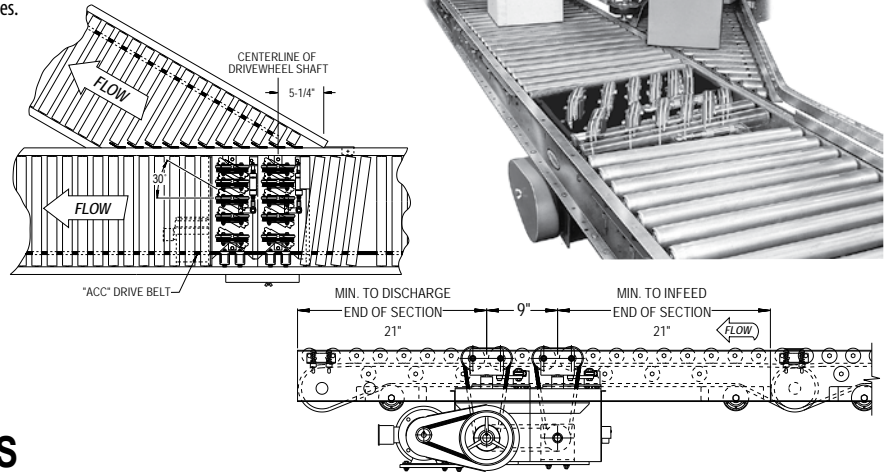
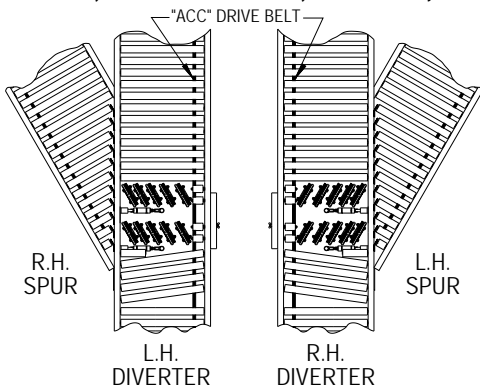
AIR VALVE—Single solenoid 4-way valve with speed controls, 1/4 in. NPT valve ports. Requires maintained electrical signal of 115V-1 Ph. 60 Hz. from photo cell, limit switch, etc. (not supplied). Diverter will stay in diverted position until signal is broken. Current consumption is .09 amps holding.

AIR REQUIREMENTS—Minimum pressure 60 P.S.I., maximum 125 P.S.I., free air consumption at 60 P.S.I., .014 cu. ft. per cycle.

NOTE: To eliminate contaminants in air supply line, a filter-regulator should be installed prior to the air valve (not supplied as standard).

DOUBLE POWERED PIVOT DIVERTER

The Double Powered Pivot Diverter is designed for use with Models 138-ACC & 190-ACC Accumulating Conveyor. Products are automatically diverted onto adjacent 30° spur lines.



• STANDARD SPECIFICATIONS

CAPACITY—75 lbs. maximum package weight.

PACKAGE SIZE—Minimum 6 in. wide x 9 in. long maximum 34 in. wide x 46 in. long. NOTE: Small packages must not be top heavy.

DIVERTER SPEED—AC Drive 42-420 FPM.

DIVERTER MECHANISM—Four rows of 3 7/8 in. dia. wheels with urethane treads driven by 3/8 in. dia. urethane belts.

MOUNTING—Complete unit bolts to 138-ACC 13 in. to 22 in. BR only or 190-ACC 13 in. to 39 in. BR, RH or LH Diversion 30° spur discharge (spur not included). Minimum elevation 15 in. (138-ACC) or 16 in. (190-ACC). NOTE: ACC belt must be opposite discharge side. Widths over 22 in. BR, contact Factory.

CYCLES—Up to 40 times per minute.

DRIVE—1/2 HP motor with AC type variable speed controller. Select 230V-3 Ph. 60 Hz. or 115V-1 Ph. 60 Hz. power.

AIR CYLINDER—1 1/4 in. dia. bore x 1 in. stroke, double acting with internal rubber bumpers both ends.

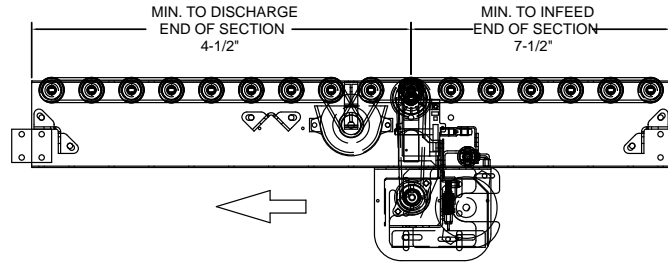
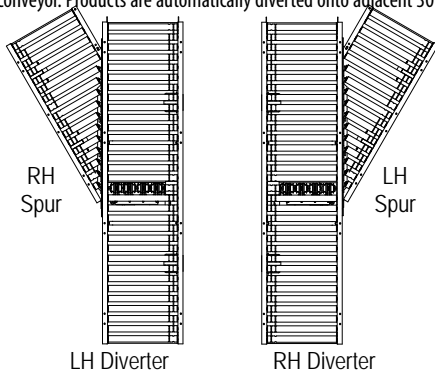
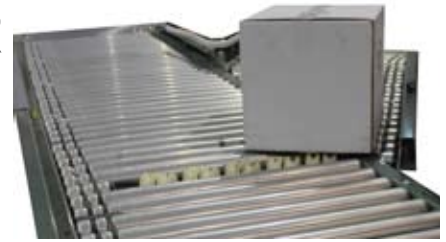
AIR VALVE—Single solenoid 4-way valve with speed controls. 1/4 in. NPT valve ports. Requires maintained electrical signal of 115 V-1 Ph. 60 Hz. from photo cell, limit switch, etc. (not supplied). Diverter will stay in diverted position until signal is broken. Current consumption is .09 amps holding.

AIR REQUIREMENTS—Minimum pressure 60 P.S.I., maximum 125 P.S.I. Free air consumption at 60 P.S.I., .028 cu. ft. per cycle. NOTE: To eliminate contaminants in air supply line, a filter-regulator should be installed prior to the air valve (not supplied as standard).

SYSTEMS ACCESSORIES

E24 SINGLE POWERED PIVOT DIVERTER

The Powered Pivot Diverter is designed for use with Models 190- E24 & 190-E24EZ Conveyor. Products are automatically diverted onto adjacent 30° spur lines.



• STANDARD SPECIFICATIONS

CAPACITY—75 lbs. maximum package weight.

PACKAGE SIZE—Minimum 4 in. wide x 6 in. long, maximum 26 in. wide x 36 in. long.
NOTE: Small packages must not be top heavy.

DIVERTER SPEED— 35-125 FPM set on Motor Controller

DIVERTER MECHANISM—One row of 3 3/8 in. dia. wheels with urethane treads driven by 3/8 in. dia. urethane belts.

MOUNTING—Complete unit bolts to 190-E24 13 in. to 21 in. BR, RH or LH diversion 30° spur discharge (spur not included). Minimum elevation 14 in. NOTE: O-rings must be opposite discharge side. Widths over 39 in. BR contact factory.

CYCLES—Up to 40 times per minute.

MOTOR—24 VDC motor, 3 amps per motor, one each Divert Bank.

MOTOR CONTROLLER— Controls and Protects Motor, one each Divert Bank.

AIR CYLINDER—1 1/4 in. dia. bore x 2 in. stroke, double acting with internal rubber bumpers both ends.

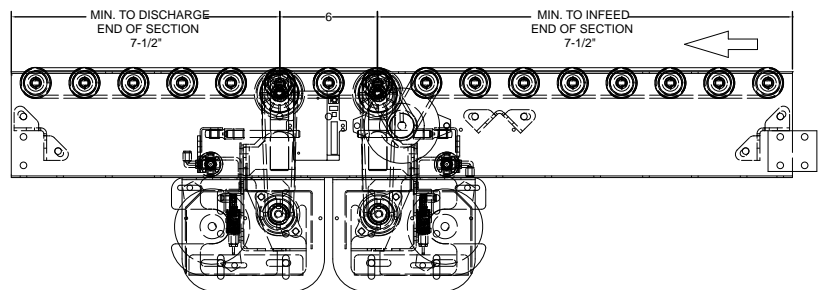
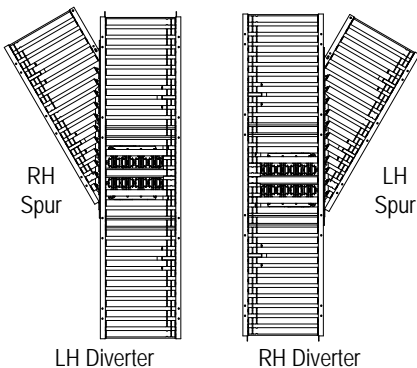
AIR VALVE—Single solenoid 4-way valve with speed controls, 1/8 in. NPT valve ports. Requires maintained electrical signal of 24VDC watt from photo cell, limit switch, etc. (not supplied). Diverter will stay in diverted position until signal is broken. Current consumption is .32 amps holding.

AIR REQUIREMENTS—Minimum pressure 60 P.S.I., maximum 125 P.S.I., free air consumption at 60 P.S.I., .032 cu. ft. per cycle.

NOTE: To eliminate contaminants in air supply line, a filter-regulator should be installed prior to the air valve (not supplied as standard).

E24 DOUBLE POWERED PIVOT DIVERTER

The Double Powered Pivot Diverter is designed for use with Models 190-E24 & 190-E24EZ Accumulating Conveyor. Products are automatically diverted onto adjacent 30° spur lines.



• STANDARD SPECIFICATIONS

CAPACITY—75 lbs. maximum package weight.

PACKAGE SIZE—Minimum 4 in. wide x 6 in. long, maximum 26 in. wide x 36 in. long.
NOTE: Small packages must not be top heavy.

DIVERTER SPEED— 35-125 FPM set on Motor Controller

DIVERTER MECHANISM—Two rows of 3 3/8 in. dia. wheels with urethane treads driven by 3/8 in. dia. urethane belts.

MOUNTING—Bolts to 190-E24 13 in. to 39 in. BR, RH or LH diversion 30° spur discharge (spur not included). Minimum elevation 14 in. NOTE: O-rings must be opposite discharge side. Widths over 39 in. BR contact factory.

CYCLES—Up to 40 times per minute.

MOTOR—24 VDC motor, 3 amps per motor, one each Divert Bank.

MOTOR CONTROLLER— Controls and Protects Motor, one each Divert Bank.

AIR CYLINDER—1 1/4 in. dia. bore x 2 in. stroke, double acting with internal rubber bumpers both ends.

AIR VALVE—Single solenoid 4-way valve with speed controls, 1/8 in. NPT valve ports. Requires maintained electrical signal of 24VDC watt from photo cell, limit switch, etc. (not supplied). Diverter will stay in diverted position until signal is broken. Current consumption is .32 amps holding.

AIR REQUIREMENTS—Minimum pressure 60 P.S.I., maximum 125 P.S.I., free air consumption at 60 P.S.I., .064 cu. ft. per cycle.

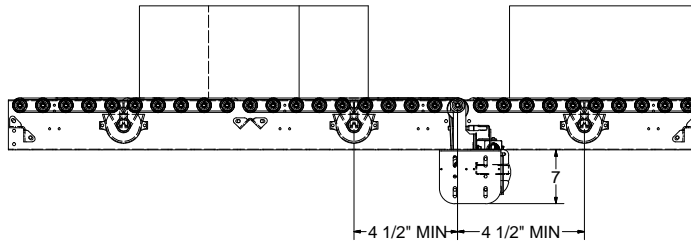
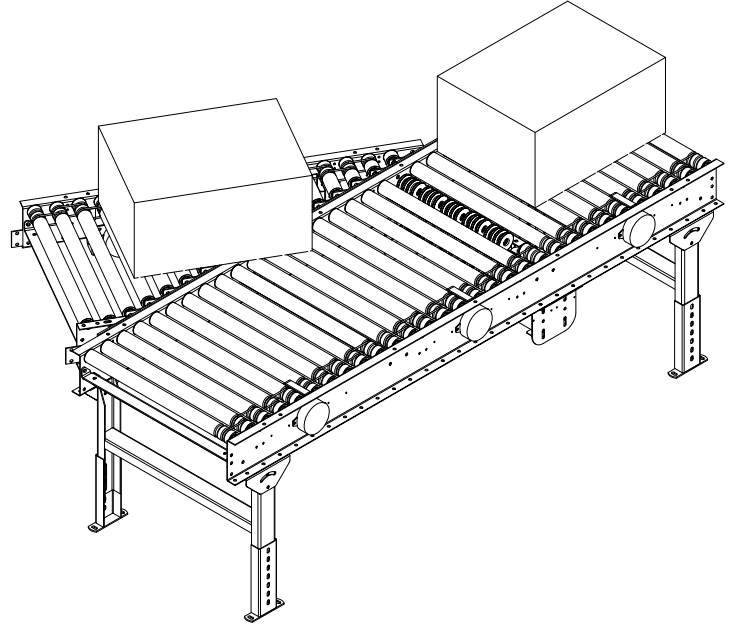
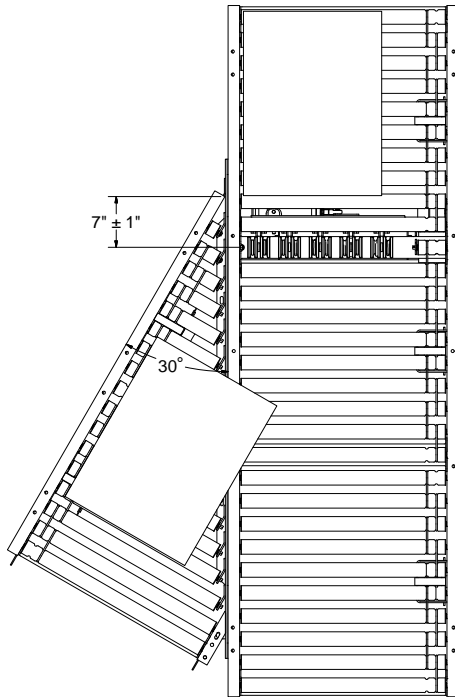
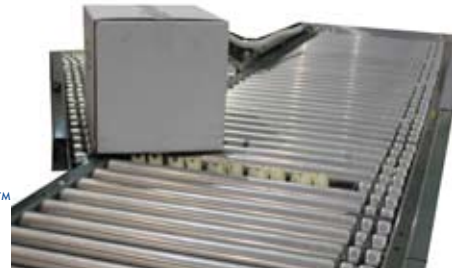
NOTE: To eliminate contaminants in air supply line, a filter-regulator should be installed prior to the air valve (not supplied as standard).



SYSTEMS ACCESSORIES

E24 ELECTRIC POWERED PIVOT DIVERTER

The E24 Powered Pivot Diverter is designed for use with Models E24 & E24EZ Accumulating Conveyor. Products are diverted onto adjacent 30° spur lines. The electric linear actuator rotates the diverter sheave assembly to divert at a 30° angle. The vertical lift of the sheave assembly allows the diverter to have more control of the package which provides a more positive divert.

• STANDARD SPECIFICATIONS

CAPACITY—75 lbs. maximum package weight.

PACKAGE SIZE—Minimum 4 in. wide x 6 in. long, maximum 26 in. wide x 36 in. long.
NOTE: Small packages must not be top heavy.

DIVERTER SPEED—24VDC, 35-155 FPM.

DIVERTER MECHANISM—Row of 2 3/4 in. dia. wheels with urethane treads driven by 3/16 in. dia. urethane belts.

CYCLES—Up to 25 cases per minute.

MOTOR—24VDC motor, 3 amps per motor.

CONTROLS INPUT—18-24V at 1.9-4.2mA

DRIVE CURRENT REQUIREMENTS—20-28V DC 4 AMP

AVAILABLE WIDTHS—22", 24", 26", 28", 30" OAW